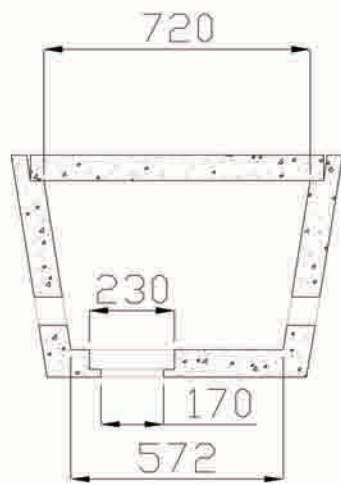
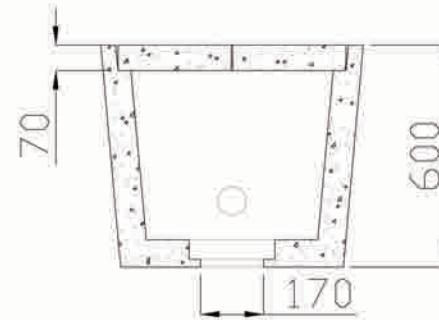


Pumping Chamber

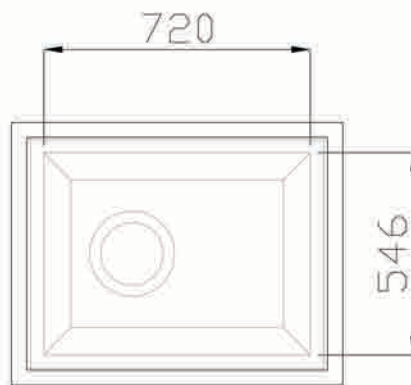
(140 Litres / 32 Gallon)



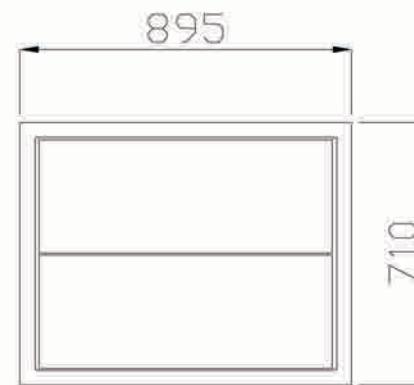
Vertical Section



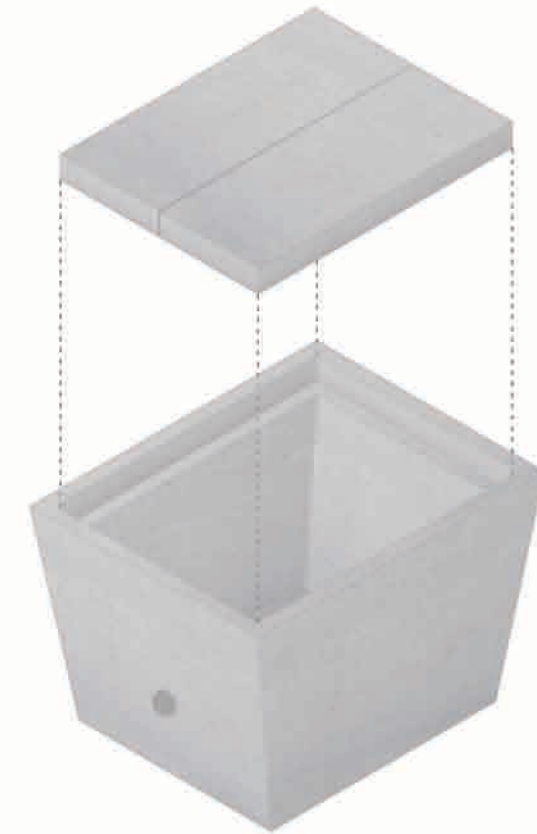
Cross Section



Tank Plan



Lid Plan



Excavation to be 3' 6" (1.05m) x 3' (0.9m) x 2' (0.6m) deep



Tank Type	Pumping Chamber
Tank Size	895mm x 710mm x 600mm
Height	600mm (including lid)
Volume	32 gallon / 140 liters

McGrath Precast Concrete Ltd.	
Web: www.mcgrathquarries.ie	
Email: info@mcgrathquarries.ie	
O'Callaghans Mills, Co. Clare.	Herbertstown, Co. Limerick.
Tel: 065 6835125	Tel: 061 385211
Fax: 065 6835489	